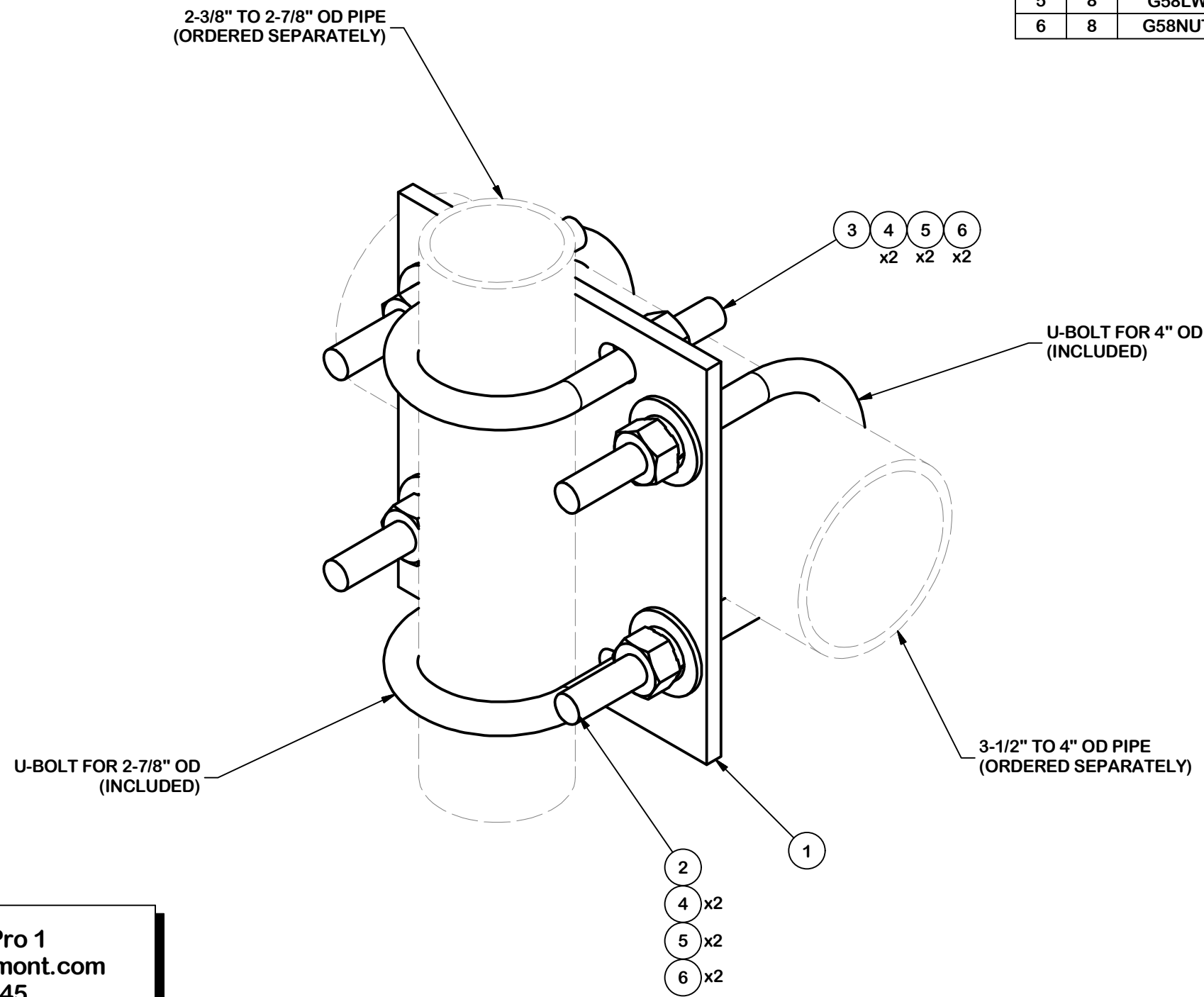


PARTS LIST						
ITEM	QTY	PART NO.	PART DESCRIPTION	LENGTH	UNIT WT.	NET WT.
1	1	PL375-88758	CROSSOVER PLATE	8 7/8 in	7.98	7.98
2	2	X-UB5418	5/8" X 4-1/8" X 7" X 3" U-BOLT (HDG.)		1.51	3.02
3	2	X-UB5300	5/8" X 3" X 5-1/4" X 2-1/2" U-BOLT (HDG.)		1.15	2.30
4	8	G58FW	5/8" HDG USS FLATWASHER		0.07	0.56
5	8	G58LW	5/8" HDG LOCKWASHER		0.03	0.21
6	8	G58NUT	5/8" HDG HEAVY 2H HEX NUT		0.13	1.04
					<b>TOTAL WT. #</b>	<b>14.65</b>




Valmont Site Pro 1  
 Lori.Espinosa@valmont.com  
 (631) 715-3045  
 www.sitepro1.com

**TOLERANCE NOTES**  
 TOLERANCES ON DIMENSIONS, UNLESS OTHERWISE NOTED ARE:  
 SAWED, SHEARED AND GAS CUT EDGES ( $\pm 0.030$ " )  
 DRILLED AND GAS CUT HOLES ( $\pm 0.030$ " ) - NO CONING OF HOLES  
 LASER CUT EDGES AND HOLES ( $\pm 0.010$ " ) - NO CONING OF HOLES  
 BENDS ARE  $\pm 1/2$  DEGREE  
 ALL OTHER MACHINING ( $\pm 0.030$ " )  
 ALL OTHER ASSEMBLY ( $\pm 0.060$ " )

PROPRIETARY NOTE:  
 THE DATA AND TECHNIQUES CONTAINED IN THIS DRAWING ARE PROPRIETARY INFORMATION OF VALMONT INDUSTRIES AND CONSIDERED A TRADE SECRET. ANY USE OR DISCLOSURE WITHOUT THE CONSENT OF VALMONT INDUSTRIES IS STRICTLY PROHIBITED.

DESCRIPTION			
CROSSOVER PLATE			
CPD NO.	DRAWN BY	ENG. APPROVAL	
	JFS 3/23/2020	5/10/2020	
CLASS	SUB	DRAWING USAGE	CHECKED BY
87	02	SHOP	BMC 5/10/2020

 A valmont COMPANY	Locations: New York, NY Atlanta, GA Los Angeles, CA Plymouth, IN Salem, OR Dallas, TX
	Engineering Support Team: 1-888-753-7446
PART NO.	VZWSMART-MSK2
DWG. NO.	VZWSMART-MSK2