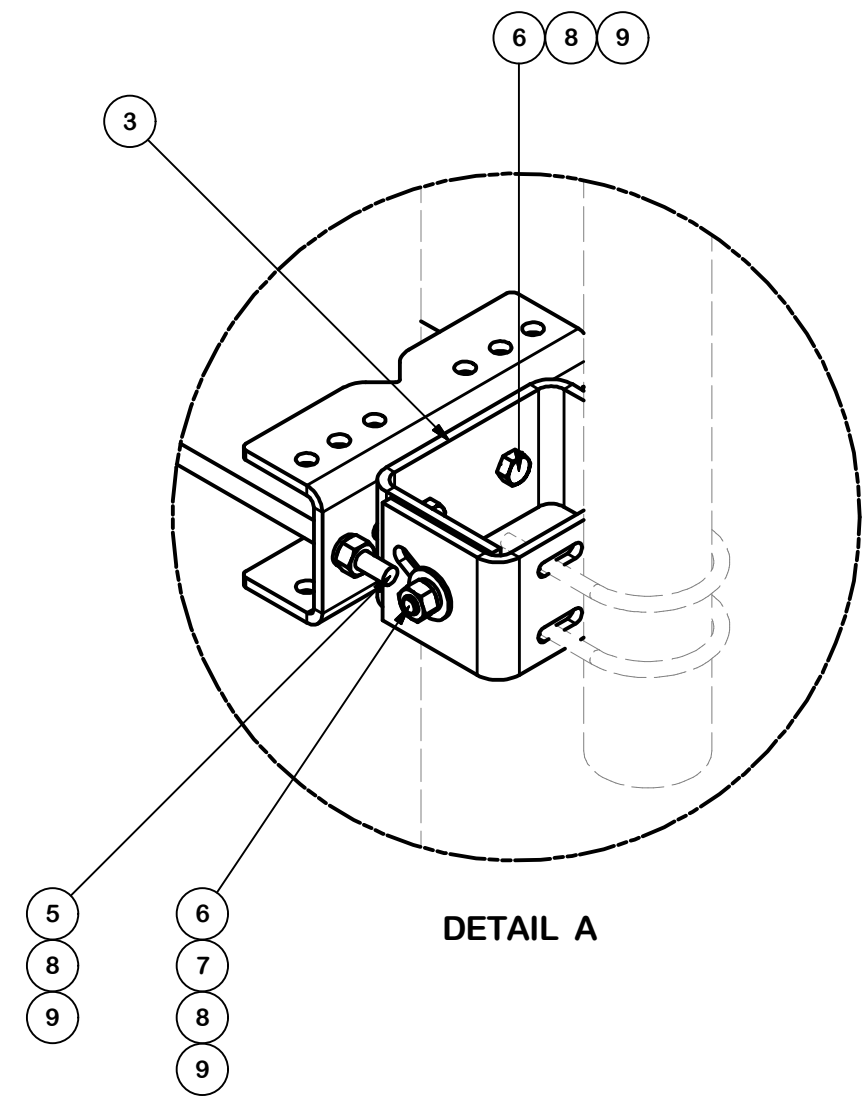
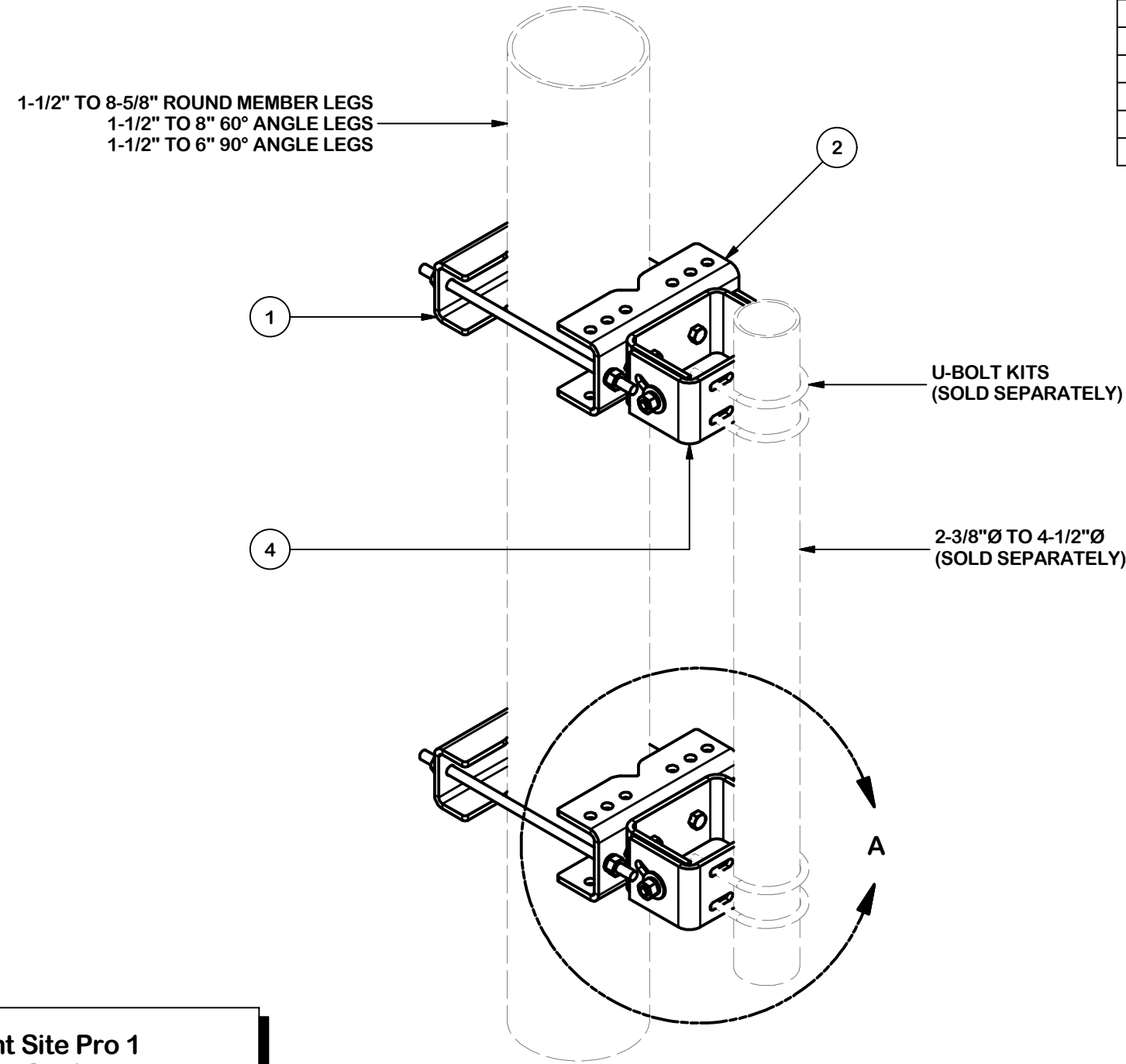


PARTS LIST						
ITEM	QTY	PART NO.	PART DESCRIPTION	LENGTH	UNIT WT.	NET WT.
1	2	BP8375-12	REAR TOWER LEG BRACKET	8 3/8 in	10.84	21.68
2	2	BP1125-12	FRONT TOWER LEG BRACKET	11 1/4 in	14.13	28.26
3	2	BP425-18INT	INTERIOR BENT PLATE	18 in	8.78	17.56
4	2	BP425-18EXT	EXTERIOR BENT PLATE	18 in	9.14	18.29
5	4	G58R-18	5/8" x 18" THREADED ROD (HDG.)		1.57	6.27
6	8	A5802	5/8" x 2" HDG A325 HEX BOLT		0.27	2.17
7	12	G58FW	5/8" HDG USS FLATWASHER	1/8 in	0.07	0.85
8	16	G58LW	5/8" HDG LOCKWASHER		0.03	0.42
9	16	G58NUT	5/8" HDG HEAVY 2H HEX NUT		0.13	2.08
					TOTAL WT. #	97.56



Valmont Site Pro 1
 Lori.Espinosa@valmont.com
 (631) 715-3045
 www.sitepro1.com

TOLERANCE NOTES
 TOLERANCES ON DIMENSIONS, UNLESS OTHERWISE NOTED ARE:
 SAWED, SHEARED AND GAS CUT EDGES ($\pm 0.030''$)
 DRILLED AND GAS CUT HOLES ($\pm 0.030''$) - NO CONING OF HOLES
 LASER CUT EDGES AND HOLES ($\pm 0.010''$) - NO CONING OF HOLES
 BENDS AND ANGLES ARE $\pm 1/2$ DEGREE
 ALL OTHER MACHINING ($\pm 0.030''$)
 ALL OTHER ASSEMBLY ($\pm 0.060''$)

PROPRIETARY NOTE:
 THE DATA AND TECHNIQUES CONTAINED IN THIS DRAWING ARE PROPRIETARY INFORMATION OF VALMONT INDUSTRIES AND CONSIDERED A TRADE SECRET. ANY USE OR DISCLOSURE WITHOUT THE CONSENT OF VALMONT INDUSTRIES IS STRICTLY PROHIBITED.

DESCRIPTION
VZW SMART LEVELING PIPE KIT

CPD NO.	DRAWN BY CSL 3/26/2020	ENG. APPROVAL 5/10/2020
CLASS 87	SUB 02	DRAWING USAGE CUSTOMER
	CHECKED BY BMC 5/10/2020	

SITE PRO 1
 A valmont COMPANY

Engineering Support Team:
 1-888-753-7446

Locations:
 New York, NY
 Atlanta, GA
 Los Angeles, CA
 Plymouth, IN
 Salem, OR
 Dallas, TX
 Tampa, FL

PART NO. VZWSMART-MSK4	PAGE 1 OF 1
DWG. NO. VZWSMART-MSK4	