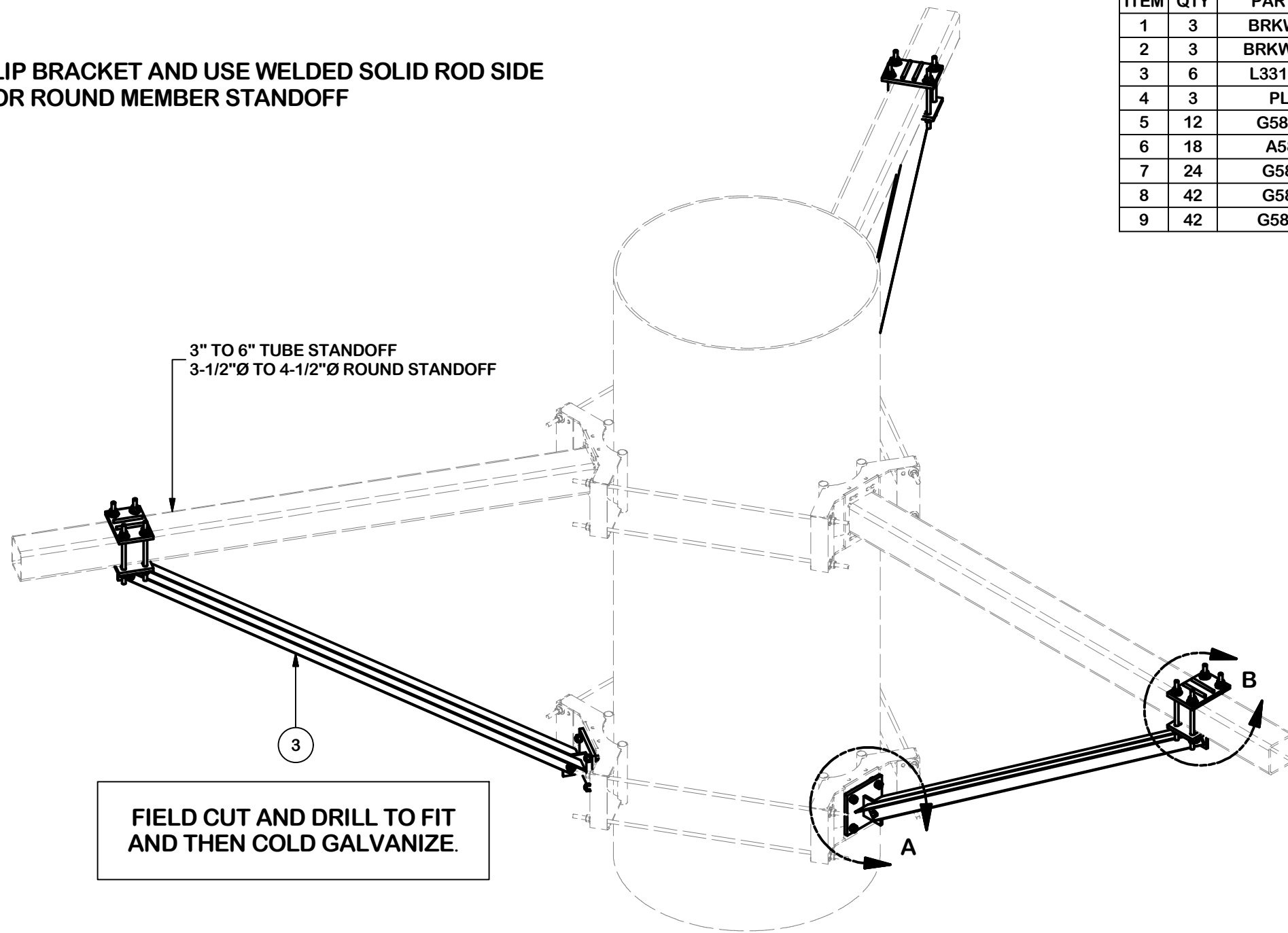


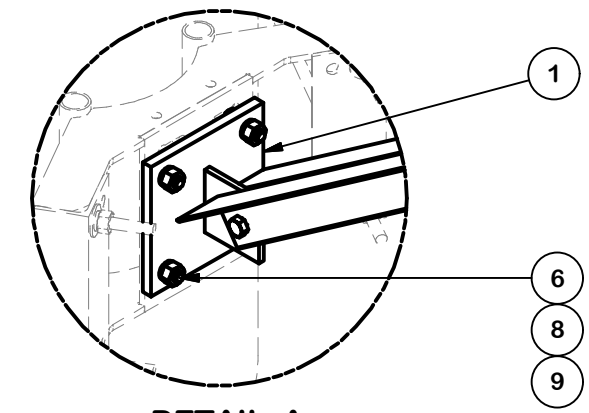
\* FLIP BRACKET AND USE WELDED SOLID ROD SIDE FOR ROUND MEMBER STANDOFF



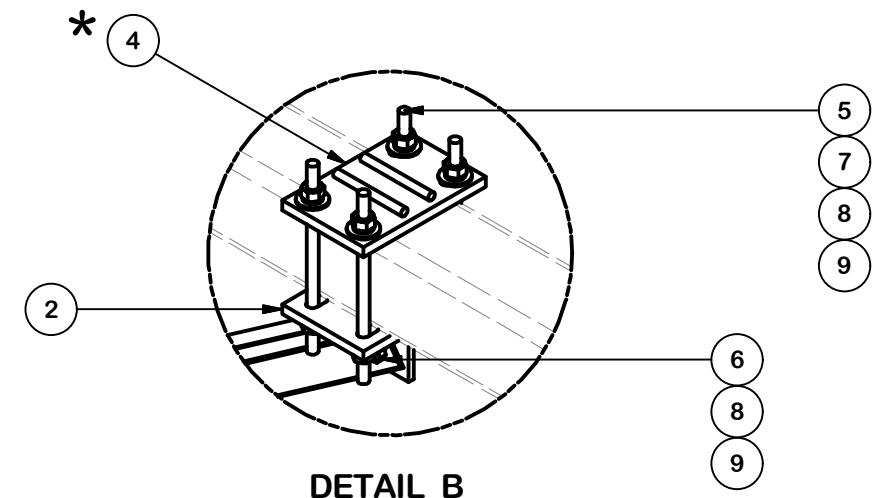
FIELD CUT AND DRILL TO FIT AND THEN COLD GALVANIZE.

Valmont Site Pro 1  
 Lori.Espinosa@valmont.com  
 (631) 715-3045  
 www.sitepro1.com

PARTS LIST						
ITEM	QTY	PART NO.	PART DESCRIPTION	LENGTH	UNIT WT.	NET WT.
1	3	BRKW-XXX	BRKW-XXX		14.29	42.87
2	3	BRKW-XXXX	BRKW-XXXX		11.32	33.96
3	6	L331875-8	KICKER ANGLE	96 in	31.79	190.73
4	3	PL-KI	PL-KI		10.15	30.44
5	12	G58R-12	5/8" x 12" THREADED ROD (HDG.)		1.05	12.54
6	18	A5802	5/8" x 2" HDG A325 HEX BOLT		0.27	4.89
7	24	G58FW	5/8" HDG USS FLATWASHER	1/8 in	0.07	1.69
8	42	G58LW	5/8" HDG LOCKWASHER		0.03	1.10
9	42	G58NUT	5/8" HDG HEAVY 2H HEX NUT		0.13	5.46
TOTAL WT. #						324.05



DETAIL A



DETAIL B

**TOLERANCE NOTES**  
 TOLERANCES ON DIMENSIONS, UNLESS OTHERWISE NOTED ARE:  
 SAWED, SHEARED AND GAS CUT EDGES ( $\pm 0.030"$ )  
 DRILLED AND GAS CUT HOLES ( $\pm 0.030"$ ) - NO CONING OF HOLES  
 LASER CUT EDGES AND HOLES ( $\pm 0.010"$ ) - NO CONING OF HOLES  
 BENDS AND ANGLES ARE  $\pm 1/2$  DEGREE  
 ALL OTHER MACHINING ( $\pm 0.030"$ )  
 ALL OTHER ASSEMBLY ( $\pm 0.060"$ )

PROPRIETARY NOTE:  
 THE DATA AND TECHNIQUES CONTAINED IN THIS DRAWING ARE PROPRIETARY INFORMATION OF VALMONT INDUSTRIES AND CONSIDERED A TRADE SECRET. ANY USE OR DISCLOSURE WITHOUT THE CONSENT OF VALMONT INDUSTRIES IS STRICTLY PROHIBITED.

DESCRIPTION  
**VZW SMART KICKER REINFORCEMENT KIT**

CPD NO.	DRAWN BY	ENG. APPROVAL
	CSL 3/26/2020	5/10/2020
CLASS	SUB	DRAWING USAGE
87	02	SHOP
	CHECKED BY	
	BMC 5/10/2020	

**SITE PRO 1**  
 Engineering Support Team:  
 1-888-753-7446

Locations:  
 New York, NY  
 Atlanta, GA  
 Los Angeles, CA  
 Plymouth, IN  
 Salem, OR  
 Dallas, TX  
 Tampa, FL

A valmont COMPANY

PART NO.	<b>VZWSMART-PLK5</b>
DWG. NO.	<b>VZWSMART-PLK5</b>