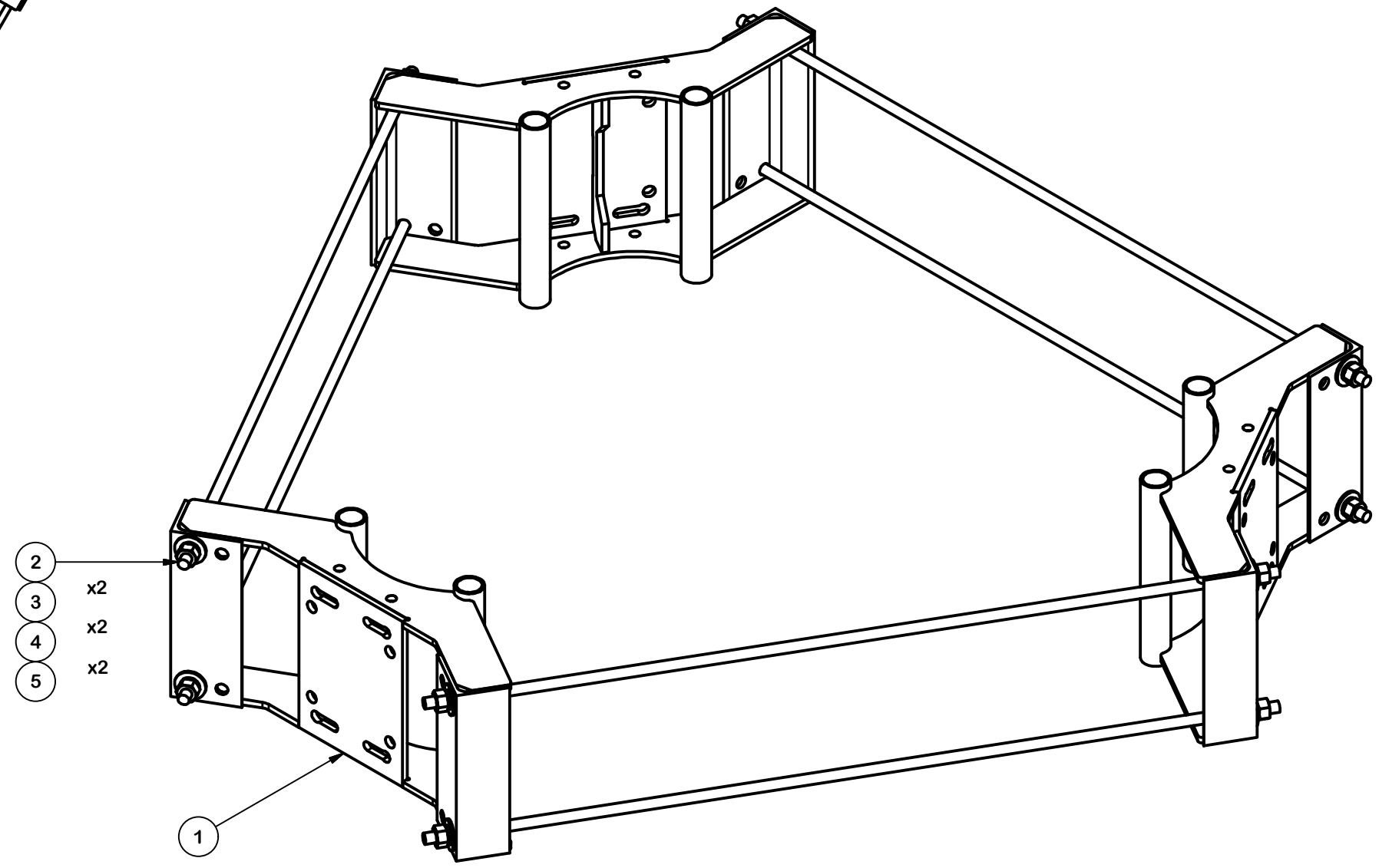
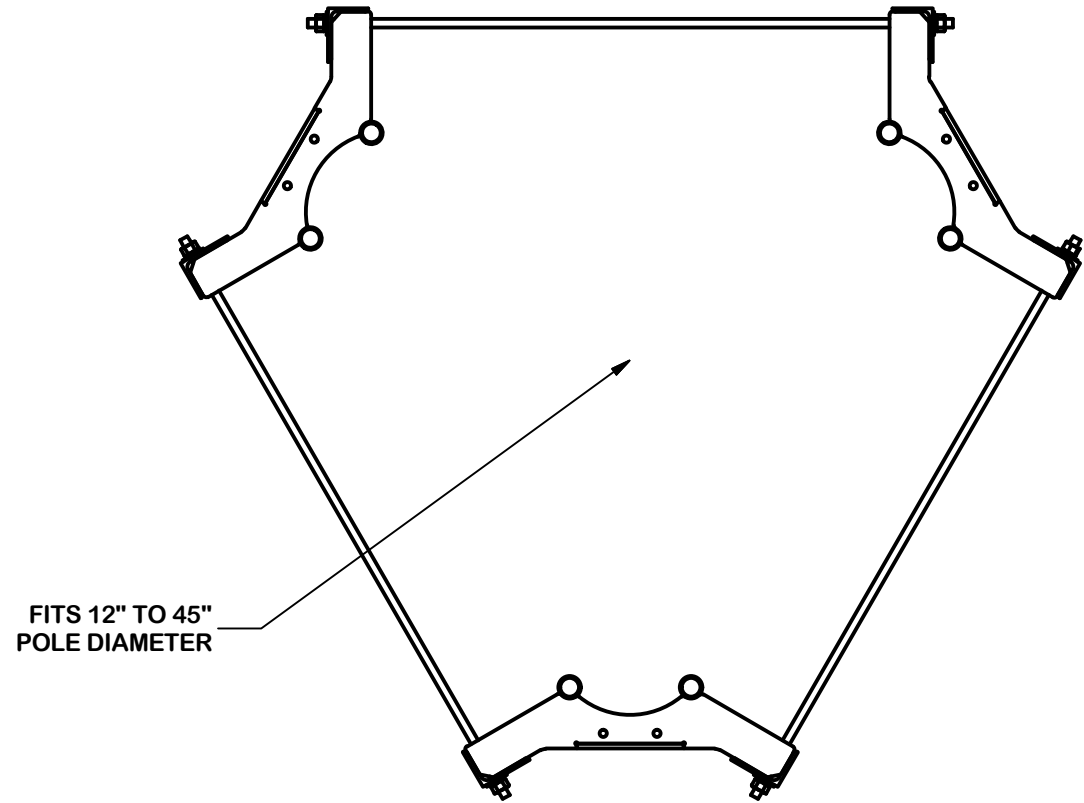


PARTS LIST						
ITEM	QTY	PART NO.	PART DESCRIPTION	LENGTH	UNIT WT.	NET WT.
1	3	CM-1245	CM-1245		43.17	129.50
2	6	G58R-48-B7	5/8" x 48" THREADED ROD (HDG.)		4.18	25.09
3	12	G58FW	5/8" HDG USS FLATWASHER		0.07	0.85
4	12	G58LW	5/8" HDG LOCKWASHER		0.03	0.31
5	12	G58NUT	5/8" HDG HEAVY 2H HEX NUT		0.13	1.56
					TOTAL WT. #	157.31




- 2 x2
- 3 x2
- 4 x2
- 5 x2

Valmont Site Pro 1
 Lori.Espinosa@valmont.com
 (631) 715-3045
 www.sitepro1.com

TOLERANCE NOTES
 TOLERANCES ON DIMENSIONS, UNLESS OTHERWISE NOTED ARE:
 SAWED, SHEARED AND GAS CUT EDGES ($\pm 0.030''$)
 DRILLED AND GAS CUT HOLES ($\pm 0.030''$) - NO CONING OF HOLES
 LASER CUT EDGES AND HOLES ($\pm 0.010''$) - NO CONING OF HOLES
 BENDS ARE $\pm 1/2$ DEGREE
 ALL OTHER MACHINING ($\pm 0.030''$)
 ALL OTHER ASSEMBLY ($\pm 0.060''$)

PROPRIETARY NOTE:
 THE DATA AND TECHNIQUES CONTAINED IN THIS DRAWING ARE PROPRIETARY INFORMATION OF VALMONT INDUSTRIES AND CONSIDERED A TRADE SECRET. ANY USE OR DISCLOSURE WITHOUT THE CONSENT OF VALMONT INDUSTRIES IS STRICTLY PROHIBITED.

DESCRIPTION			
MONOPOLE COLLAR MOUNT ASSEMBLY			
CPD NO.	DRAWN BY	ENG. APPROVAL	
	JFS 3/20/2020		
CLASS	SUB	DRAWING USAGE	CHECKED BY
87	02	SHOP	

 A valmont COMPANY	Locations: New York, NY Atlanta, GA Los Angeles, CA Plymouth, IN Salem, OR Dallas, TX
	Engineering Support Team: 1-888-753-7446
PART NO.	VZWSMART-PLK7
DWG. NO.	VZWSMART-PLK7