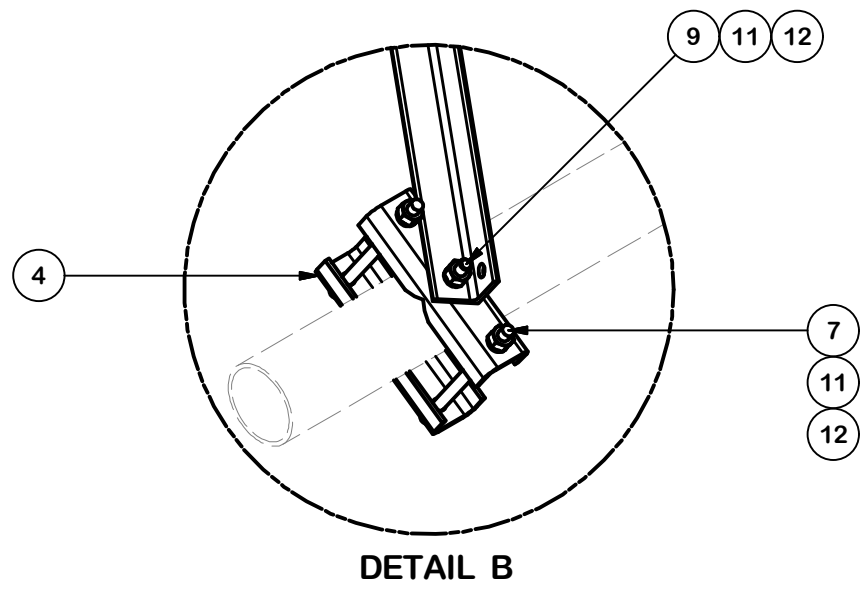
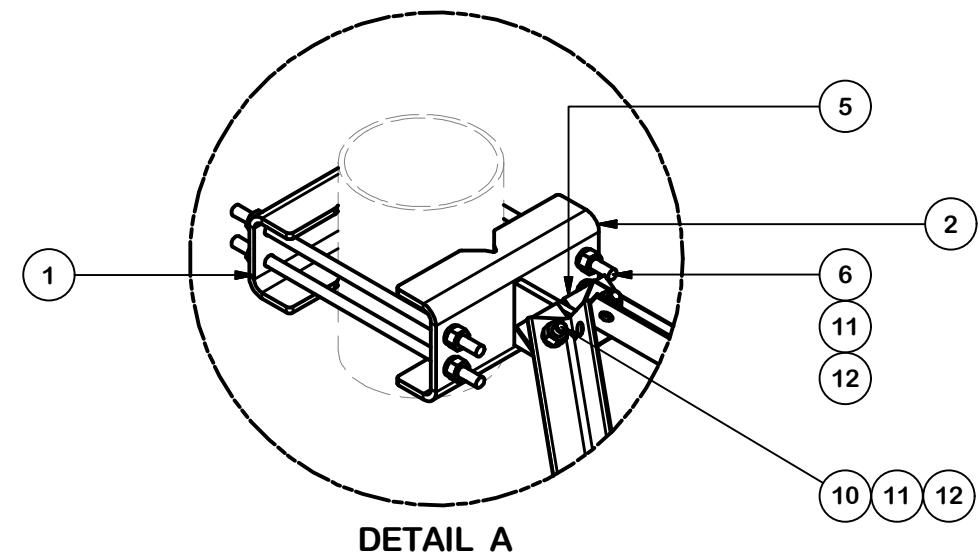


FIELD CUT AND DRILL TO FIT  
AND THEN COLD GALVANIZE.

PARTS LIST						
ITEM	QTY	PART NO.	PART DESCRIPTION	LENGTH	UNIT WT.	NET WT.
1	1	BP9625-12	V-BRACE REAR TOWER LEG BRACKET	9 5/8 in	12.62	12.62
2	1	BRKW-VBSM	V-BRACE FRONT TOWER LEG BRACKET WELDMENT		16.76	16.76
3	2	L252525-8	ANGLE BRACE (FIELD MODIFICATION REQUIRED)	96 in	34.52	69.04
4	4	BP6875-10	BENT PLATE BRACKET	10 in	3.82	15.30
5	2	AL-333	CLIP ANGLE	3 in	1.25	2.50
6	4	G58R-18	5/8" x 18" THREADED ROD (HDG.)		1.57	6.27
7	4	G58R-10	5/8" x 10" THREADED ROD (HDG.)		0.87	3.48
8	1	A582114	5/8" x 2-1/4" HDG A325 HEX BOLT	2 1/4 in	0.31	0.31
9	2	A5802	5/8" x 2" HDG A325 HEX BOLT		0.27	0.54
10	2	A58134	5/8" X 1-3/4" HDG A325 BOLT	1 3/4 in	0.27	0.54
11	21	G58LW	5/8" HDG LOCKWASHER		0.03	0.55
12	21	G58NUT	5/8" HDG HEAVY 2H HEX NUT		0.13	2.73
<b>TOTAL WT. #</b>						<b>130.08</b>



Valmont Site Pro 1  
Lori.Espinosa@valmont.com  
(631) 715-3045  
[www.sitepro1.com](http://www.sitepro1.com)

**TOLERANCE NOTES**

TOLERANCES ON DIMENSIONS, UNLESS OTHERWISE NOTED ARE:  
 SAWED, SHEARED AND GAS CUT EDGES (± 0.030")  
 DRILLED AND GAS CUT HOLES (± 0.030") - NO CONING OF HOLES  
 LASER CUT EDGES AND HOLES (± 0.010") - NO CONING OF HOLES  
 BENDS AND ANGLES ARE ± 1/2 DEGREE  
 ALL OTHER MACHINING (± 0.030")  
 ALL OTHER ASSEMBLY (± 0.060")

PROPRIETARY NOTE:  
 THE DATA AND TECHNIQUES CONTAINED IN THIS DRAWING ARE PROPRIETARY INFORMATION OF VALMONT INDUSTRIES AND CONSIDERED A TRADE SECRET. ANY USE OR DISCLOSURE WITHOUT THE CONSENT OF VALMONT INDUSTRIES IS STRICTLY PROHIBITED.

DESCRIPTION  
**VZW SMART SECTOR FRAME  
 REINFORCEMENT KIT**

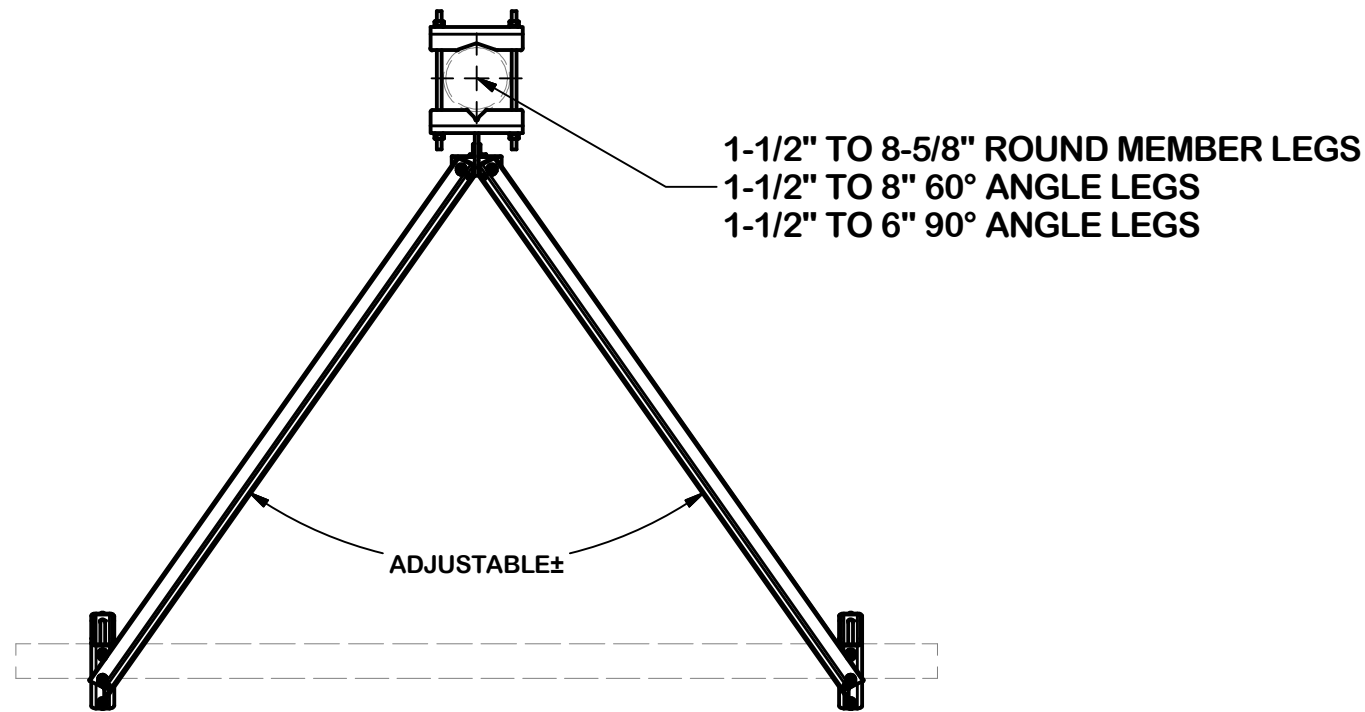
CPD NO.	DRAWN BY	ENG. APPROVAL
	CSL 3/25/2020	5/10/2020
CLASS	SUB	DRAWING USAGE
87	02	SHOP
		CHECKED BY
		BMC 5/10/2020

**SITE PRO 1**  
 A valmont COMPANY

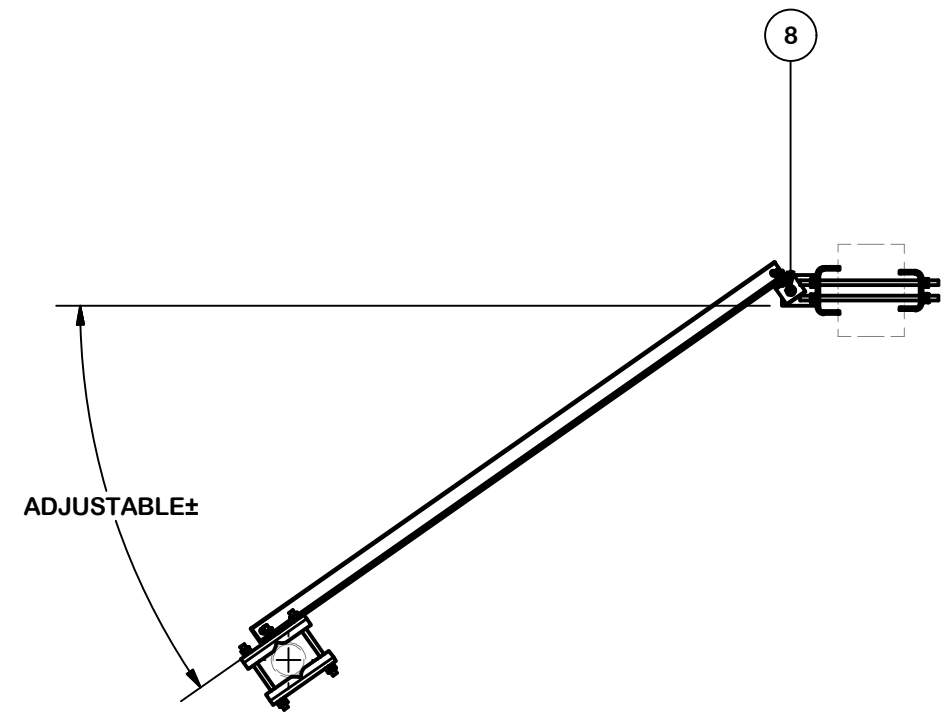
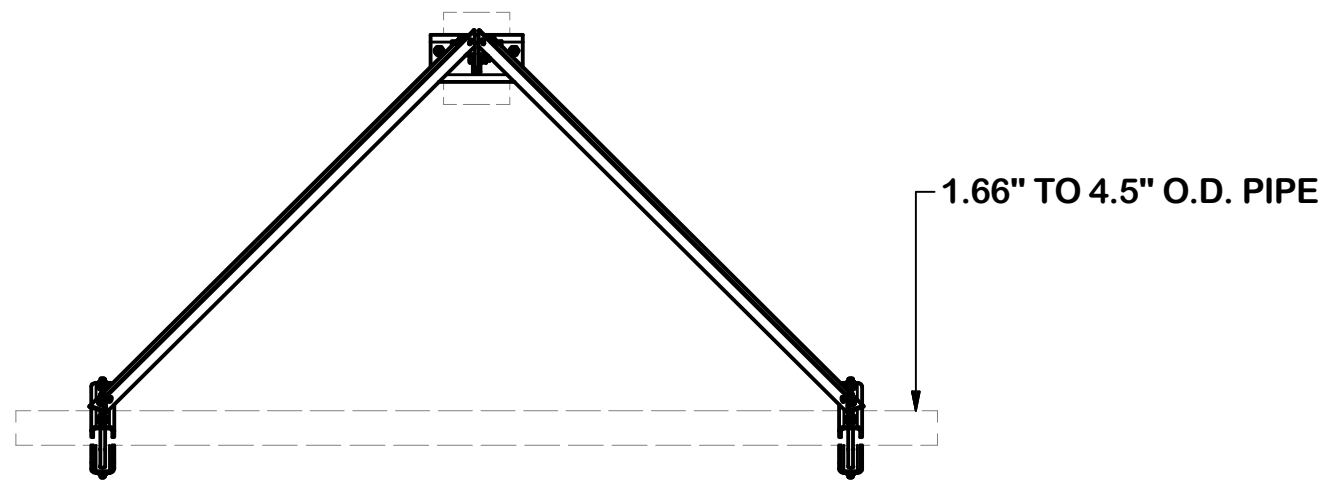
Locations:  
 New York, NY  
 Atlanta, GA  
 Los Angeles, CA  
 Plymouth, IN  
 Salem, OR  
 Dallas, TX  
 Tampa, FL

Engineering Support Team:  
 1-888-753-7446

PART NO.	<b>VZWSMART-SFK3</b>
DWG. NO.	<b>VZWSMART-SFK3</b>



VERTICAL POSITION



**TOLERANCE NOTES**

TOLERANCES ON DIMENSIONS, UNLESS OTHERWISE NOTED ARE:  
 SAWED, SHEARED AND GAS CUT EDGES ( $\pm 0.030''$ )  
 DRILLED AND GAS CUT HOLES ( $\pm 0.030''$ ) - NO CONING OF HOLES  
 LASER CUT EDGES AND HOLES ( $\pm 0.010''$ ) - NO CONING OF HOLES  
 BENDS AND ANGLES ARE  $\pm 1/2$  DEGREE  
 ALL OTHER MACHINING ( $\pm 0.030''$ )  
 ALL OTHER ASSEMBLY ( $\pm 0.060''$ )

PROPRIETARY NOTE:  
 THE DATA AND TECHNIQUES CONTAINED IN THIS DRAWING ARE PROPRIETARY INFORMATION OF VALMONT INDUSTRIES AND CONSIDERED A TRADE SECRET. ANY USE OR DISCLOSURE WITHOUT THE CONSENT OF VALMONT INDUSTRIES IS STRICTLY PROHIBITED.

DESCRIPTION  
**VZW SMART SECTOR FRAME  
 REINFORCEMENT KIT**

CPD NO.	DRAWN BY CSL 3/25/2020	ENG. APPROVAL 5/10/2020
CLASS 87	SUB 02	DRAWING USAGE SHOP
	CHECKED BY BMC 5/10/2020	

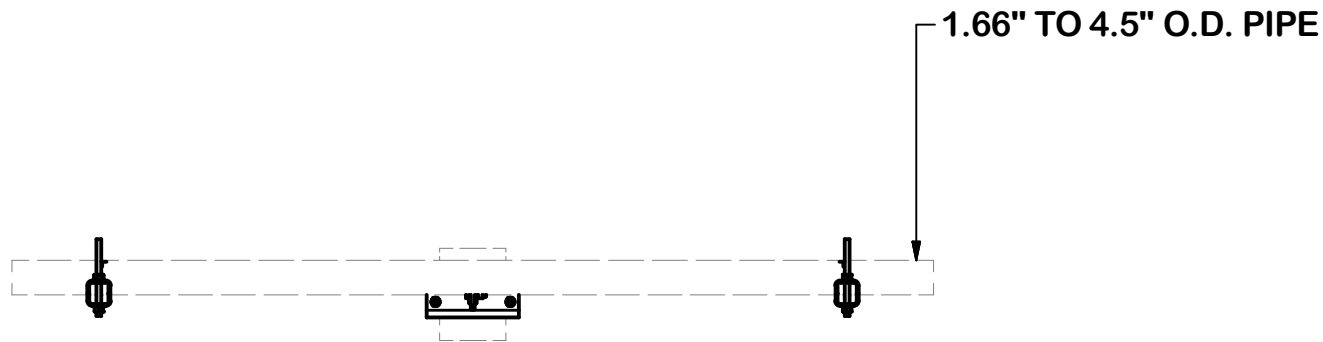
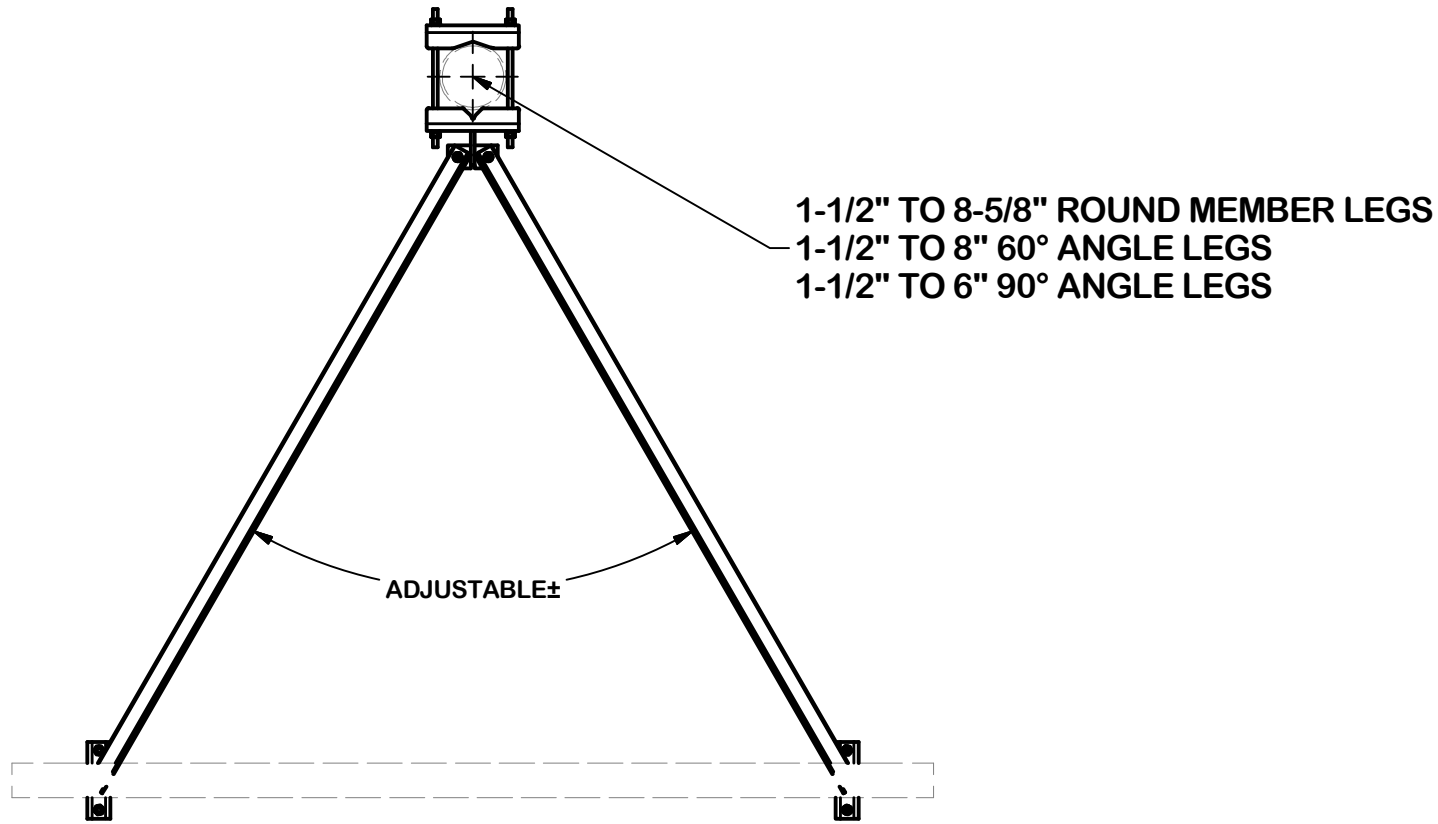
A valmont COMPANY

Locations:  
 New York, NY  
 Atlanta, GA  
 Los Angeles, CA  
 Plymouth, IN  
 Salem, OR  
 Dallas, TX  
 Tampa, FL

Engineering  
 Support Team:  
 1-888-753-7446

PART NO.	<b>VZWSMART-SFK3</b>
DWG. NO.	<b>VZWSMART-SFK3</b>

HORIZONTAL POSITION



**TOLERANCE NOTES**  
 TOLERANCES ON DIMENSIONS, UNLESS OTHERWISE NOTED ARE:  
 SAWED, SHEARED AND GAS CUT EDGES ( $\pm 0.030$ "")  
 DRILLED AND GAS CUT HOLES ( $\pm 0.030$ "") - NO CONING OF HOLES  
 LASER CUT EDGES AND HOLES ( $\pm 0.010$ "") - NO CONING OF HOLES  
 BENDS AND ANGLES ARE  $\pm 1/2$  DEGREE  
 ALL OTHER MACHINING ( $\pm 0.030$ "")  
 ALL OTHER ASSEMBLY ( $\pm 0.060$ "")

PROPRIETARY NOTE:  
 THE DATA AND TECHNIQUES CONTAINED IN THIS DRAWING ARE PROPRIETARY INFORMATION OF VALMONT INDUSTRIES AND CONSIDERED A TRADE SECRET. ANY USE OR DISCLOSURE WITHOUT THE CONSENT OF VALMONT INDUSTRIES IS STRICTLY PROHIBITED.

DESCRIPTION  
**VZW SMART SECTOR FRAME REINFORCEMENT KIT**

CPD NO.	DRAWN BY CSL 3/25/2020	ENG. APPROVAL 5/10/2020
CLASS 87	SUB 02	DRAWING USAGE SHOP
	CHECKED BY BMC 5/10/2020	

**SITE PRO 1**  
 A valmont COMPANY

Locations:  
 New York, NY  
 Atlanta, GA  
 Los Angeles, CA  
 Plymouth, IN  
 Salem, OR  
 Dallas, TX  
 Tampa, FL

Engineering Support Team:  
 1-888-753-7446

PART NO. <b>VZWSMART-SFK3</b>	PAGE 3 OF 3
DWG. NO. <b>VZWSMART-SFK3</b>	