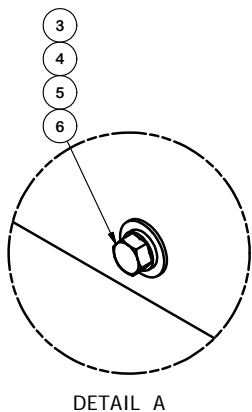
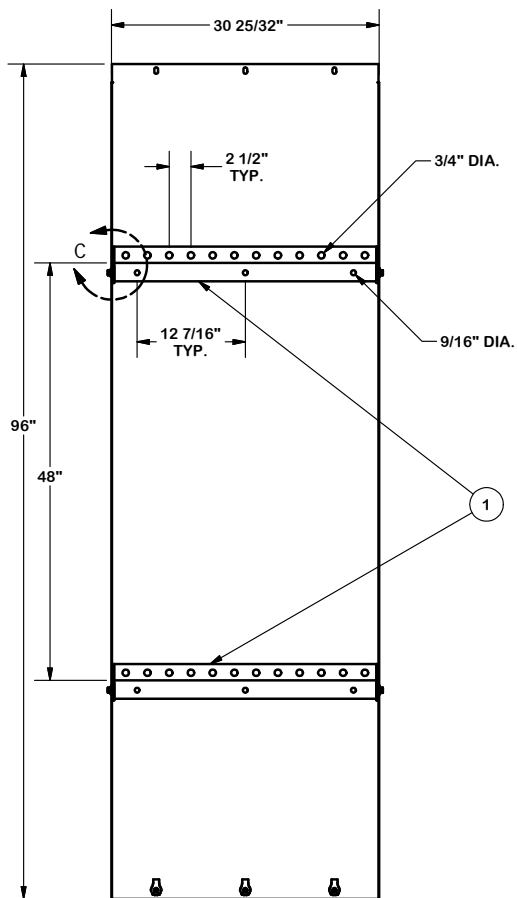
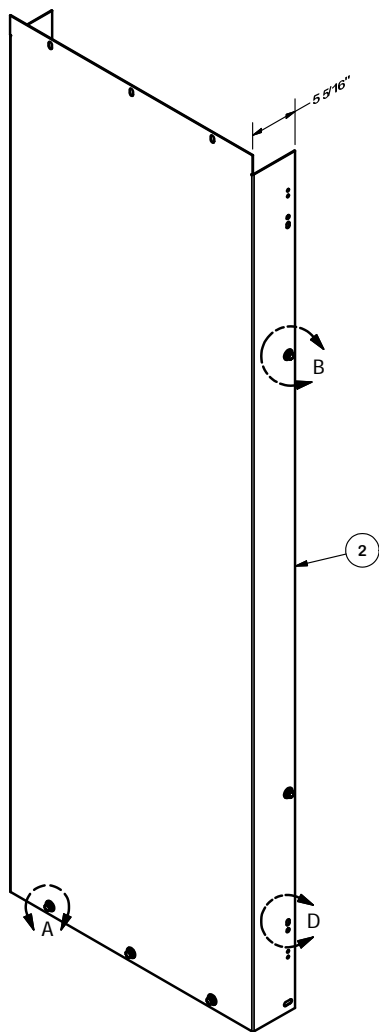


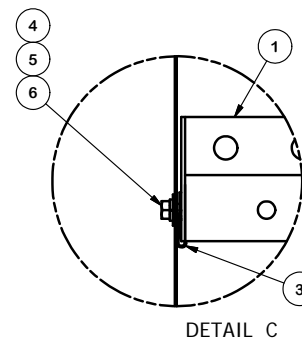
DETAIL B



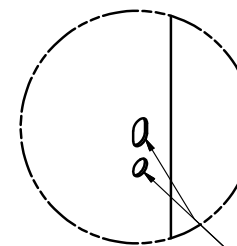
DETAIL A



PARTS LIST						
ITEM	QTY	PART NO.	PART DESCRIPTION	LENGTH	UNIT WT.	NET WT.
1	2	SP1588	WALL MOUNT BRACKET FOR 12 RUNS OF COAX		6.69	13.38
2	1	X-WMC12	16 GA SHEET (Fy=35 Ksi Min)		69.97	69.97
3	7	RN38	RETAINING NUT 3/8" X 1-1/4"		0.04	0.27
4	7	G38FW	3/8" HDG USS FLATWASHER		0.01	0.08
5	7	G38LW	3/8" HDG LOCKWASHER		0.01	0.05
6	7	G38114	3/8" x 1-1/4" HDG HEX BOLT GR5		0.06	0.44
					TOTAL WT. #	80.23



DETAIL C



DETAIL D
PREPUNCHED HOLES FOR GROUNDING LUGS

TOLERANCE NOTES

TOLERANCES ON DIMENSIONS, UNLESS OTHERWISE NOTED ARE:
 SAWED, SHEARED AND GAS CUT EDGES ($\pm 0.030"$)
 DRILLED AND GAS CUT HOLES ($\pm 0.030"$) - NO CONING OF HOLES
 LASER CUT EDGES AND HOLES ($\pm 0.010"$) - NO CONING OF HOLES
 BENDS ARE $\pm 1/2$ DEGREE
 ALL OTHER MACHINING ($\pm 0.030"$)
 ALL OTHER ASSEMBLY ($\pm 0.060"$)

PROPRIETARY NOTE:
 THE DATA AND TECHNIQUES CONTAINED IN THIS DRAWING ARE PROPRIETARY INFORMATION OF VALMONT INDUSTRIES AND CONSIDERED A TRADE SECRET. ANY USE OR DISCLOSURE WITHOUT THE CONSENT OF VALMONT INDUSTRIES IS STRICTLY PROHIBITED.

DESCRIPTION
**WALL MOUNT COVERED
 COAX KIT
 12 RUNS**

CPD NO.	DRAWN BY CEK 8/31/2011	ENG. APPROVAL
CLASS 81	SUB 01	DRAWING USAGE CUSTOMER
	CHECKED BY BMC	9/6/2011

SITE PRO 1
 Engineering Support Team:
 1-888-753-7446

Locations:
 New York, NY
 Atlanta, GA
 Los Angeles, CA
 Plymouth, IN
 Salem, OR
 Dallas, TX

A valmont COMPANY

PART NO.	WMC12
DWG. NO.	WMC12