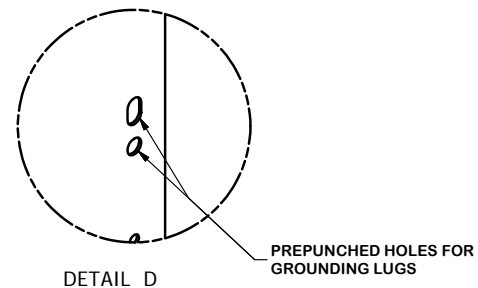
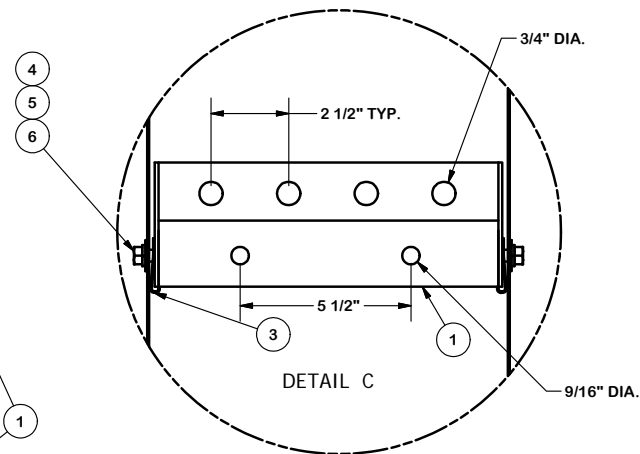


PARTS LIST						
ITEM	QTY	PART NO.	PART DESCRIPTION	LENGTH	UNIT WT.	NET WT.
1	2	SP1586	WALL MOUNT BRACKET FOR 4 RUNS OF COAX		2.78	5.57
2	1	X-WMC4D	16 GA SHEET (FY=35 KSI MIN)		49.80	49.80
3	7	RN38	RETAINING NUT 3/8" X 1-1/4"		0.04	0.27
4	7	G38FW	3/8" HDG USS FLATWASHER		0.01	0.08
5	7	G38LW	3/8" HDG LOCKWASHER		0.01	0.05
6	7	G38114	3/8" x 1-1/4" HDG HEX BOLT GR5		0.06	0.44
					<b>TOTAL WT. #</b>	<b>56.22</b>



**TOLERANCE NOTES**

TOLERANCES ON DIMENSIONS, UNLESS OTHERWISE NOTED ARE:  
 SAWED, SHEARED AND GAS CUT EDGES ( $\pm 0.030"$ )  
 DRILLED AND GAS CUT HOLES ( $\pm 0.030"$ ) - NO CONING OF HOLES  
 LASER CUT EDGES AND HOLES ( $\pm 0.010"$ ) - NO CONING OF HOLES  
 BENDS ARE  $\pm 1/2$  DEGREE  
 ALL OTHER MACHINING ( $\pm 0.030"$ )  
 ALL OTHER ASSEMBLY ( $\pm 0.060"$ )

PROPRIETARY NOTE:  
 THE DATA AND TECHNIQUES CONTAINED IN THIS DRAWING ARE PROPRIETARY INFORMATION OF VALMONT INDUSTRIES AND CONSIDERED A TRADE SECRET. ANY USE OR DISCLOSURE WITHOUT THE CONSENT OF VALMONT INDUSTRIES IS STRICTLY PROHIBITED.

DESCRIPTION  
**TALL WALL MOUNT  
 COVERED COAX KIT  
 4 RUNS (8 RUNS STACKED)**

**SITE PRO 1**  
 Engineering Support Team:  
 1-888-753-7446  
 Locations:  
 New York, NY  
 Atlanta, GA  
 Los Angeles, CA  
 Plymouth, IN  
 Salem, OR  
 Dallas, TX

CPD NO. ile0	DRAWN BY CEK 8/31/2011	ENG. APPROVAL
CLASS 81	SUB 01	DRAWING USAGE CUSTOMER
		CHECKED BY BMC 9/6/2011

PART NO. <b>WMC4D</b>	PAGE 1 OF 1
DWG. NO. <b>WMC4D</b>	