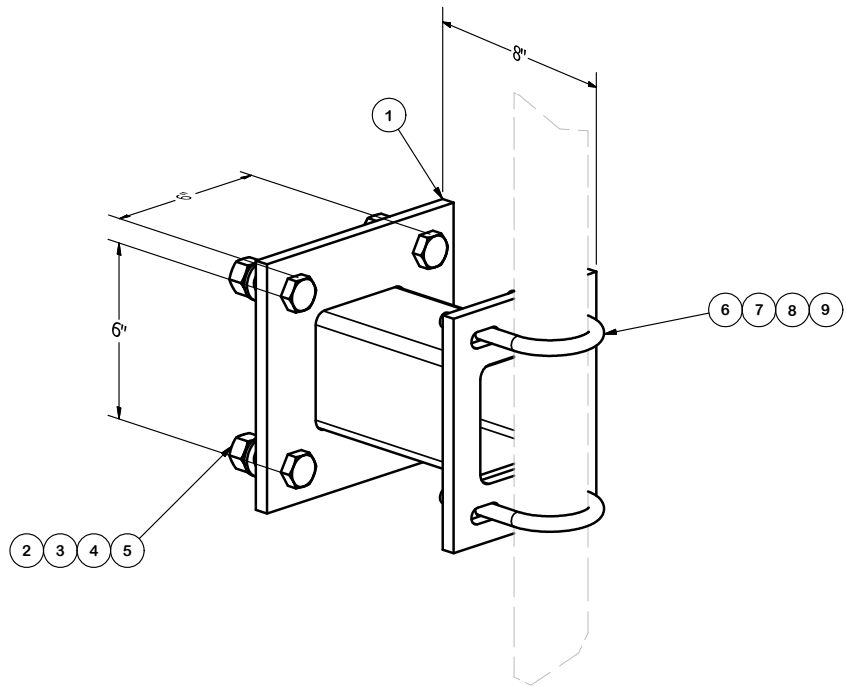
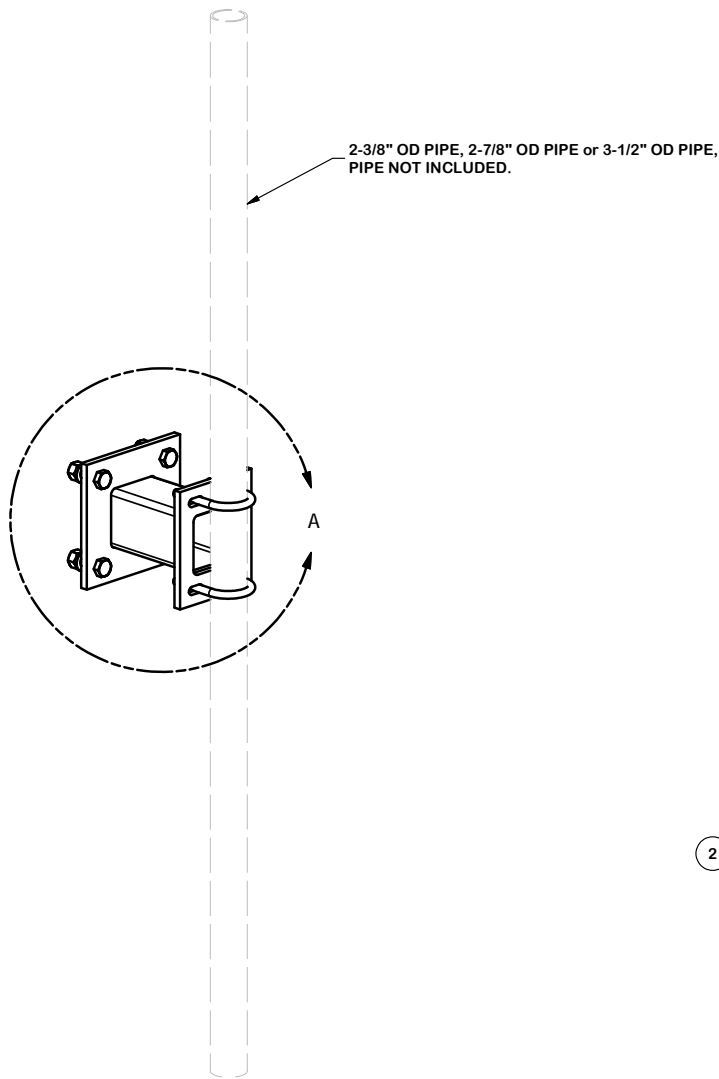


PARTS LIST						
ITEM	QTY	PART NO.	PART DESCRIPTION	LENGTH	UNIT WT.	NET WT.
1	1	X-WWM01	8" STAND-OFF ARM / WALL MOUNT		18.12	18.12
2	4	G58LW	5/8" HDG LOCKWASHER		0.03	0.10
3	4	A58FW	5/8" HDG A325 FLATWASHER		0.03	0.14
4	4	A58NUT	5/8" HDG A325 HEX NUT		0.13	0.52
5	4	A582112	5/8" x 2-1/2" HDG A325 HEX BOLT		0.33	1.34
6	2	X-UB1212	1/2" X 2-1/2" X 4-1/2" X 2" GALV. U-BOLT		0.66	1.31
6	2	X-UB1300	1/2" X 3" X 5" X 2" GALV U-BOLT		0.70	1.39
6	2	X-UB1358	1/2" X 3-5/8" X 5-1/2" X 3" GALV U-BOLT		0.77	1.54
7	4	G12FW	1/2" HDG USS FLATWASHER		0.03	0.14
8	4	G12NUT	1/2" HDG HEAVY 2H HEX NUT		0.07	0.29
9	4	G12LW	1/2" HDG LOCKWASHER		0.01	0.06
					TOTAL WT. #	24.95



DETAIL A

TOLERANCE NOTES
TOLERANCES ON DIMENSIONS, UNLESS OTHERWISE NOTED ARE:
SAWED, SHEARED AND GAS CUT EDGES (± 0.030 ")
DRILLED AND GAS CUT HOLES (± 0.030 ") - NO CONING OF HOLES
LASER CUT EDGES AND HOLES (± 0.010 ") - NO CONING OF HOLES
BENDS ARE $\pm 1/2$ DEGREE
ALL OTHER MACHINING (± 0.030 ")
ALL OTHER ASSEMBLY (± 0.060 ")

PROPRIETARY NOTE:
 THE DATA AND TECHNIQUES CONTAINED IN THIS DRAWING ARE PROPRIETARY INFORMATION OF VALMONT INDUSTRIES AND CONSIDERED A TRADE SECRET. ANY USE OR DISCLOSURE WITHOUT THE CONSENT OF VALMONT INDUSTRIES IS STRICTLY PROHIBITED.

DESCRIPTION		8" STAND-OFF WIRELESS WALL MOUNT. SITE PRO 1	
CPD NO.	DRAWN BY	ENG. APPROVAL	
4714	RH18 3/23/2010		
CLASS	SUB	DRAWING USAGE	CHECKED BY
81	01	CUSTOMER	BMC 5/10/2010

 A valmont COMPANY	Locations: New York, NY Atlanta, GA Los Angeles, CA Plymouth, IN Salem, OR Dallas, TX		
	Engineering Support Team: 1-888-753-7446		
PART NO.	WWM01	PAGE	1 OF 1
DWG. NO.	WWM01		